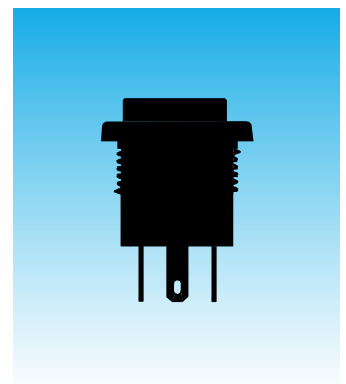
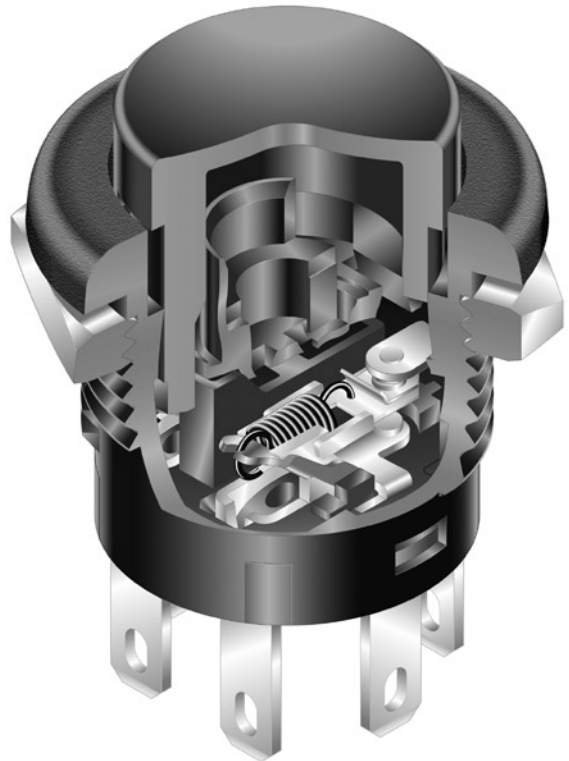
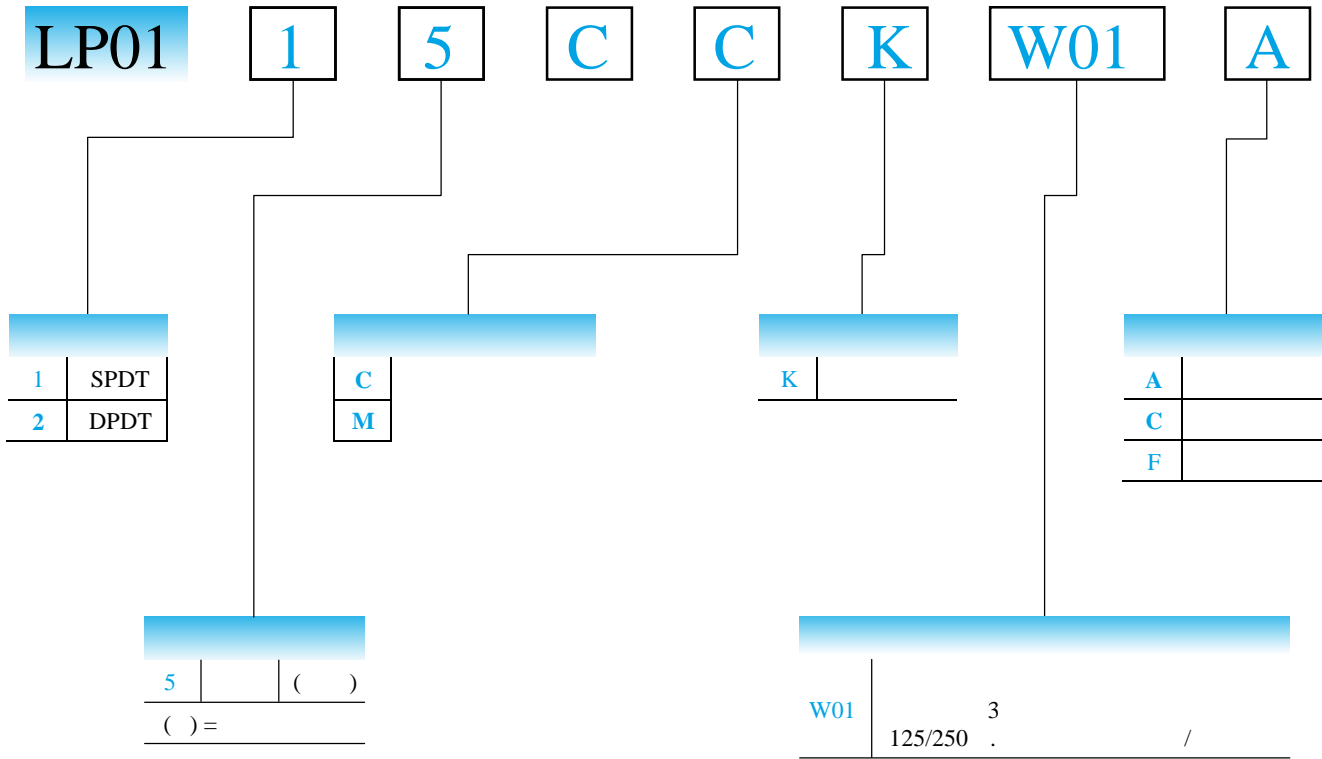


RoHS ()

.551" (14.0)

0.110"





UL C-UL,

LP0115CCKW01A



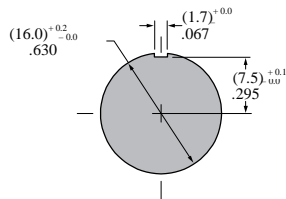
		() =				
						NC : "COM, NO"
SP	LP0115	ON	()	1-3	1-2	SPDT 1 (COM) 2 3
DP	LP0125	ON	()	1-3 4-6	1-2 4-5	DPDT 1 (COM) 2 3 4 5 6

C

.630" (16.0)



.079" ~ .256" (2.0 ~ 6.5)



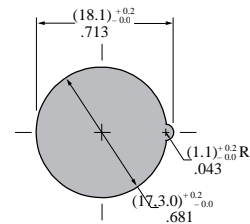
.984" (25.0)

M

.669" (17.0)



.039" ~ .126" (1.0 ~ 3.2)



(21.0)

.827"

K

W01

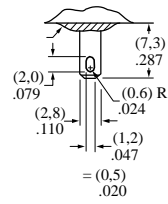
3A
250

125 /250 3

.110" (2.8)

: 1A
1A 30V (),

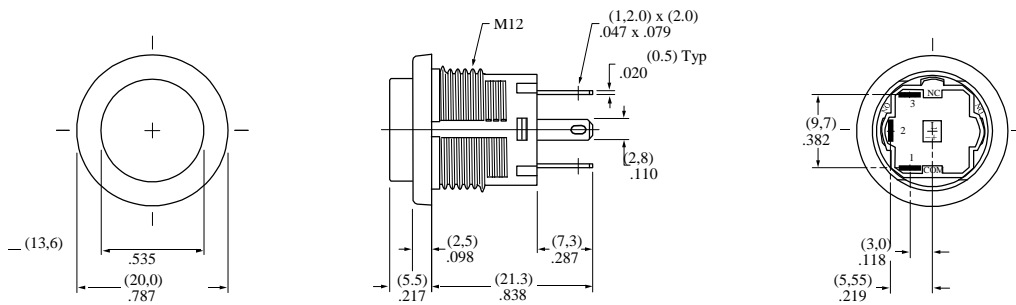
125 250
100 000



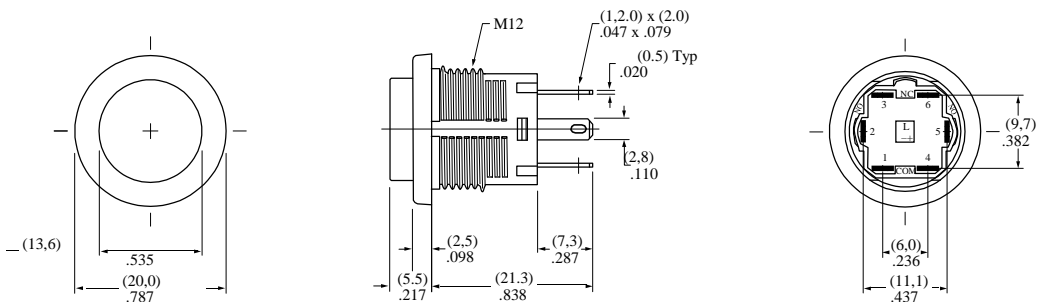
A

C

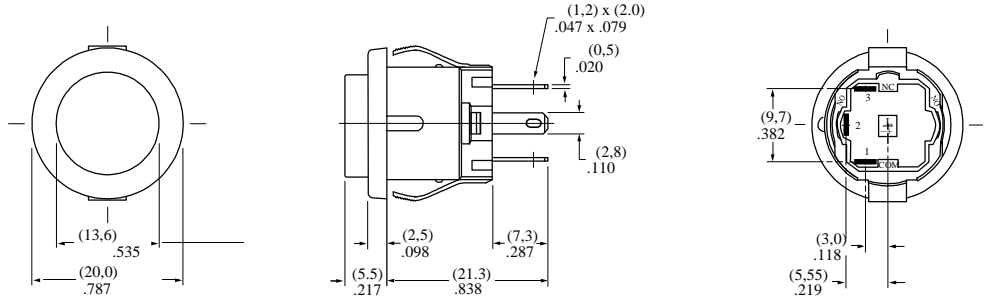
F



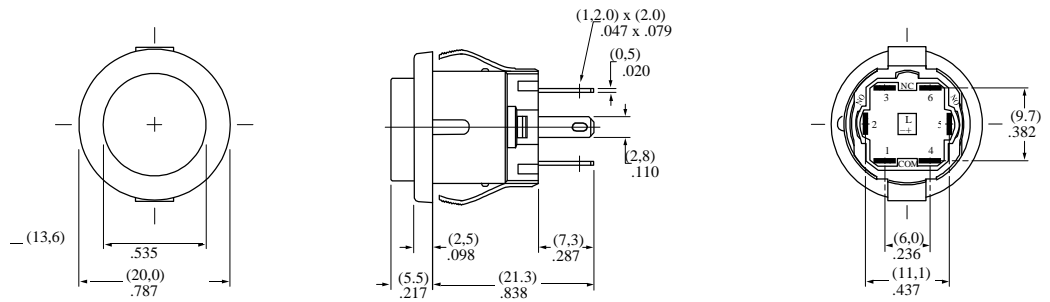
LP0115CCKW01A



LP0125CCKW01F



LP0115CMKW01C



LP0125CMKW01A

LP01.

